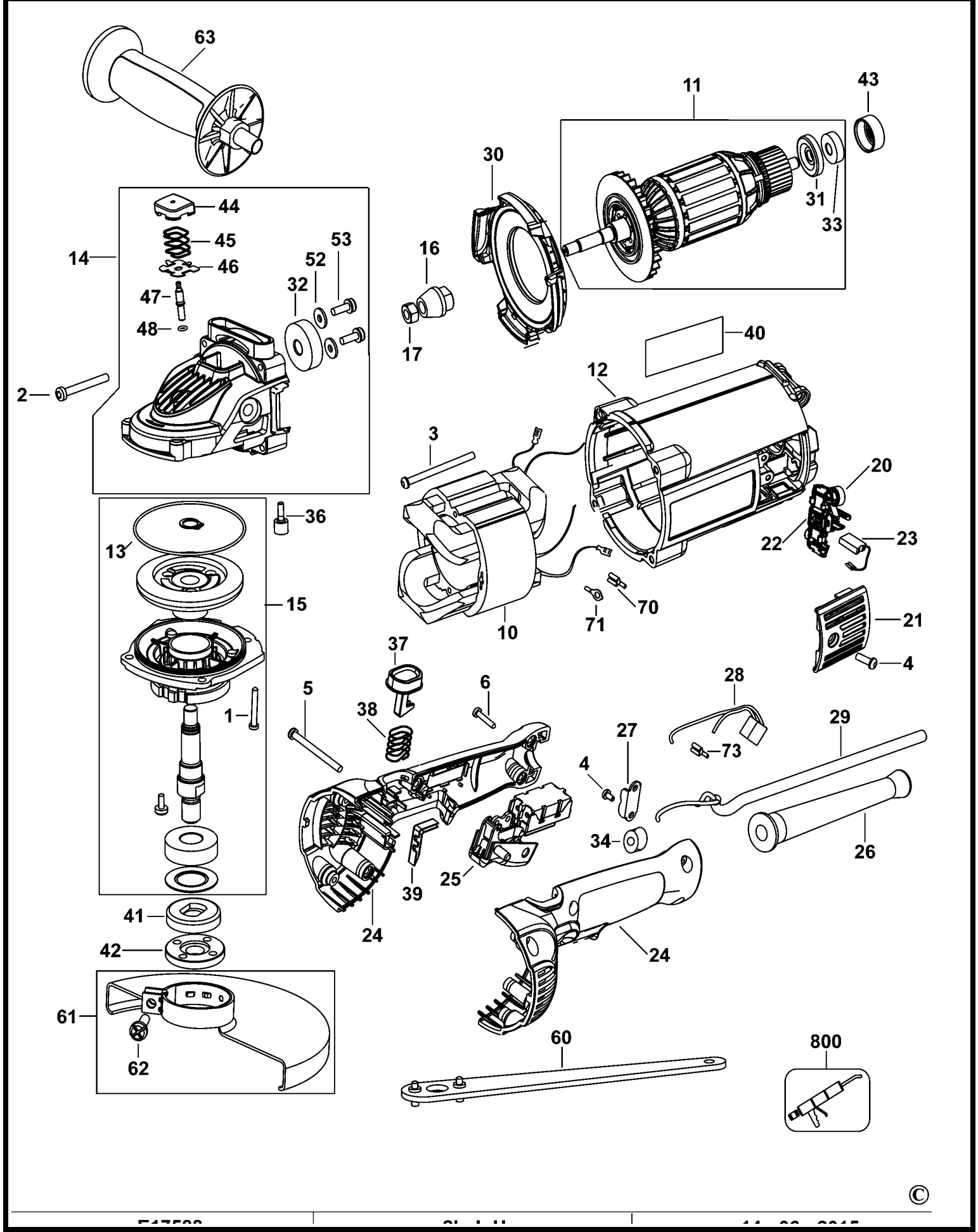


# DWE492K ANGLE GRINDER 1



## Parts List DWE492K ANGLE GRINDER 1

Item	Part Number	Qty	Part Description	General Description	Other Info	Repair Inst	Markets
1	330045-14	4	SCREW			No	QS
2	330019-26	4	SCREW			No	QS
3	330019-19	2	SCREW			No	QS
4	330019-11	2	SCREW	M4.55x13 T20		No	QS
5	330019-18	1	SCREW	M4.55 x 50 PLASTIC T		No	QS
6	330019-32	4	SCREW			No	QS
10	NA205906	1	FIELD SA			No	QS
11	N473954	1	ARMATURE SA			No	QS
12	393239-01	1	FIELD CASE			No	QS
13	397031-00	1	O RING			No	QS
14	N497002	1	GEARCASE SA			No	QS
15	N497001	1	GEARCASE COVER SA			No	QS
16	N407625	1	PINION			No	QS
17	330015-03	1	NUT	M8x1.25		No	QS
20	645650-00	2	BRUSH SPRING			No	QS
21	394387-01	2	BRUSH COVER			No	QS
22	N410308	1	BRUSH HOLDER SA			No	QS
23	N404514	1	BRUSH PAIR			No	QS
24	N697599	1	HANDLE & COVER			No	QS
25	N035342	1	SWITCH SA			No	QS
26	N219433	1	CORD PROTECTOR			No	QS
27	604119-00	1	CORD CLAMP			No	QS
28	632218-00	1	CAPACITOR			No	QS
29	562226-81	1	CORDSET			No	QS
30	631350-00	1	BAFFLE			No	QS
31	393238-00	1	SHIELD			No	QS
32	N389509	1	BEARING			No	QS
33	N110359	1	BEARING			No	QS
34	N423473	1	SUPPRESSOR			No	QS
36	N033051	1	SCREW			No	QS
37	636503-00	1	BUTTON LOCK-OFF			No	QS
38	636502-00	1	SPRING			No	QS

## Parts List DWE492K ANGLE GRINDER 1

Item	Part Number	Qty	Part Description	General Description	Other Info	Repair Inst	Markets
39	N391190	1	COVER			No	QS
40	NA146166	1	RATING PLATE			No	QS
41	403150-01	1	INNER FLANGE			No	QS
42	401678-05	1	OUTER FLANGE			No	QS
43	609970-00	1	SLEEVE INSULATING			No	QS
44	630553-00	1	CAP			No	QS
45	638328-00	1	SPRING			No	QS
46	635908-00	1	RETAINER			No	QS
47	634589-00	1	PIN			No	QS
48	750831	1	O RING			No	QS
52	640591-00	2	WASHER			No	QS
53	330045-67	2	SCREW			No	QS
60	635261-00	1	WRENCH PIN			No	QS
61	N419366	1	GUARD SA			No	QS
62	N082712	1	SCREW			No	QS
63	651858-01	1	SIDE HANDLE			No	QS
70	612273-00	2	TERMINAL			No	QS
71	610057-00	2	TERMINAL			No	QS
73	053650-00	1	TERMINAL			No	QS
800	583534-00	1	GREASE	50 GRAMS - NYE RHEOL		No	QS
861	644490-00	1	KITBOX			No	QS